

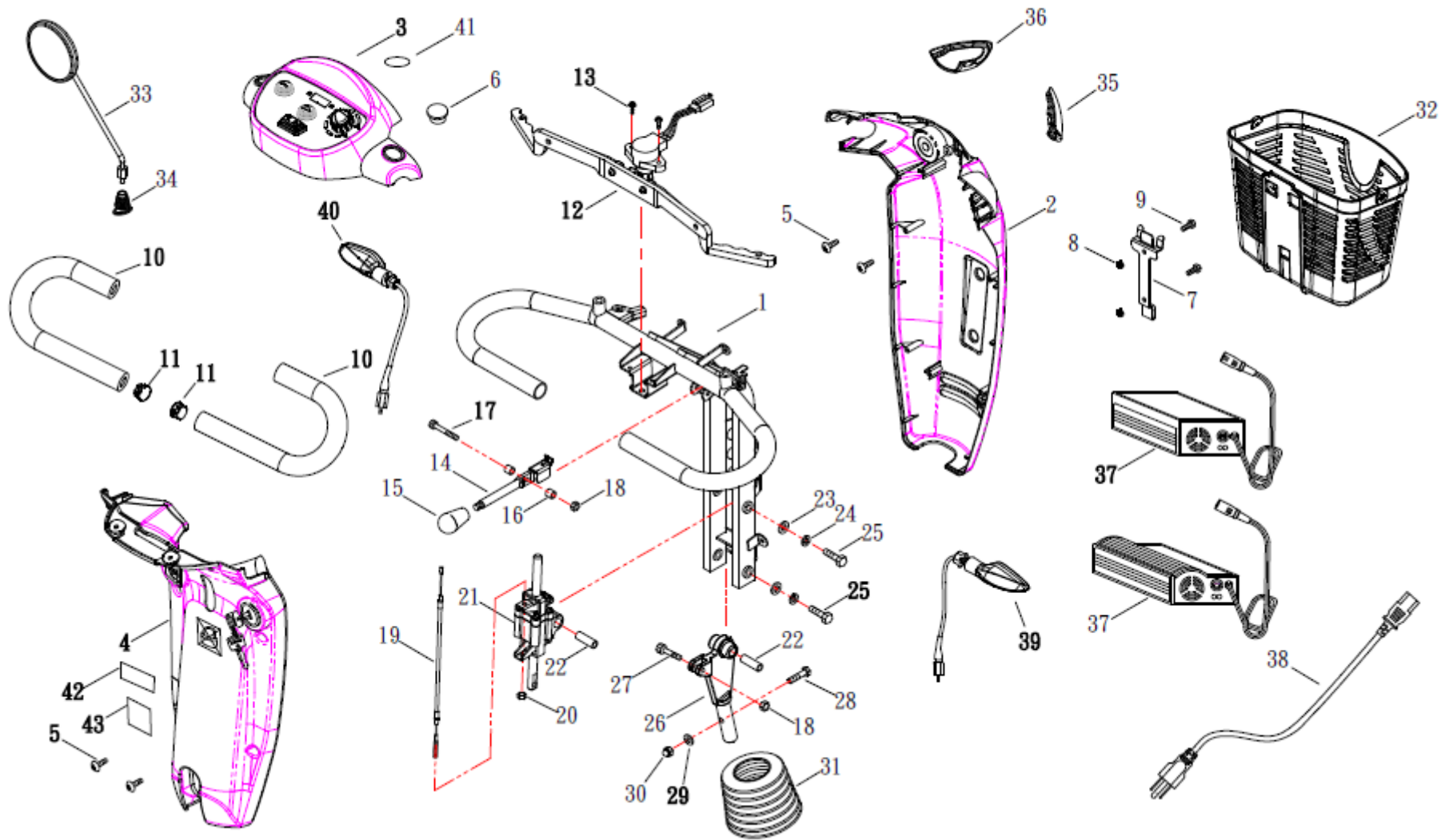
# Deleliste Hepro HS-520

SPLITTEGNINGER



# (FIG. 1) STEERING

HS-520

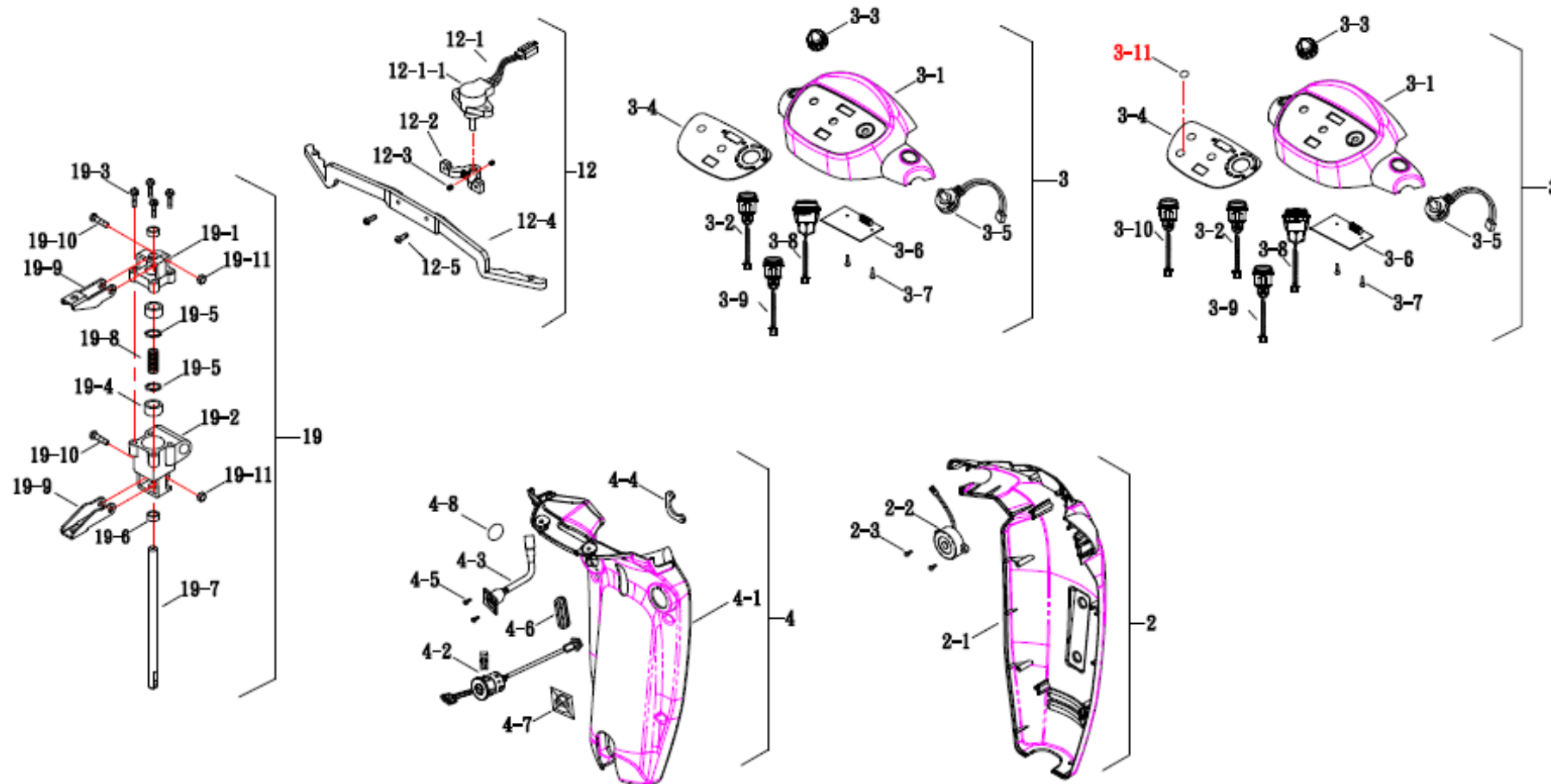




# (FIG. 1-1) STEERING

HS-520

修訂日期：2019.11.28



CT-RD-R-0022

| NO | ITEM NUMBER      | DESCRIPTION                             |       | QTY | Act.       |
|----|------------------|---|-------|-----|------------|
| 1  | 521100-52000     | STEERING COMP.                          |       | 1   |            |
| 2  | 324120-39802-WH1 | Deksel, styre foran komplett, hvitt 520 | 13209 | 1   |            |
| 2  | 324120-39802-SG1 | Deksel, styre foran komplett, grått 520 | 13208 | 1   |            |
| 3  | 324110-52010     | COVER ASSEMBLY, STEERING UPPER          |       | 1   | 2019.03.22 |
| 4  | 324130-52000     | Deksel, styre bak, komplett, 520        | 13210 | 1   |            |
| 5  | 503504-01605     | SCREW (φ4×16L)                          |       | 10  |            |
| 6  | 524115-66600     | PLUG, HANDLE COVER                      |       | 1   |            |
|    | 523110-82800     | Kurv foran                              | 13202 | 1   |            |
| 7  | 523210-52800     | Brakett for kurv                        | 13200 | 1   |            |
| 8  | 509006-07123     | COLLAR                                  |       | 2   |            |
| 9  | 502306-01645     | BOLT, BASKET (M6X16L)                   |       | 2   |            |
| 10 | 521221-52000     | Mosegummi til styre 520                 | 13235 | 2   |            |
| 11 | 572101-73000     | Endeplugg til styre, 520                | 13211 | 2   |            |
| 12 | 316300-52000     | Potensiometer med wig-wag, 520/828      | 13212 | 1   |            |
| 32 | 516800-57000     | Tenningslås med nøkkel                  | 13287 | 1   |            |
|    | 515400-66600     | Ladeplugg med kabel                     | 10993 | 2   |            |
| 14 | 525390-55800     | LEVER HANDLE                            |       | 1   |            |
| 15 | 525395-57500     | HANDLE                                  |       | 1   |            |
| 16 | 509006-06101     | COLLAR                                  |       | 2   |            |
| 17 | 502406-03055     | BOLT, JOINT (M6X30L)                    |       | 1   |            |
| 19 | 525380-58000     | CABLE COMP.                             |       | 1   |            |
| 37 | 790028           | Lader Victron Impulse, 6A               | 12890 | 1   |            |

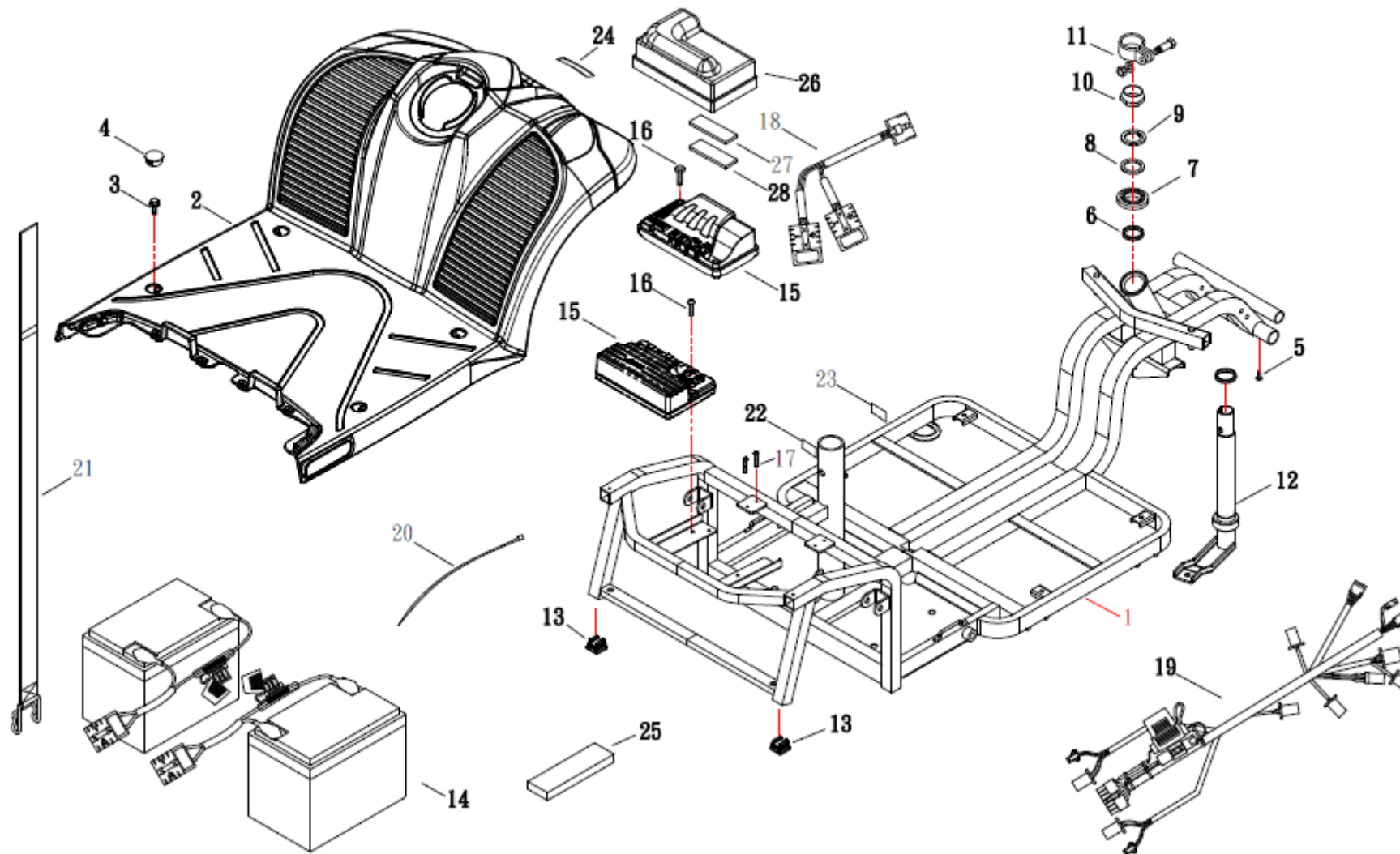


(FIG. 2) FRONT FRAME

HS-520

修訂日期：2021. 03. 22

12km(RH1N02)/6km(DR-90)

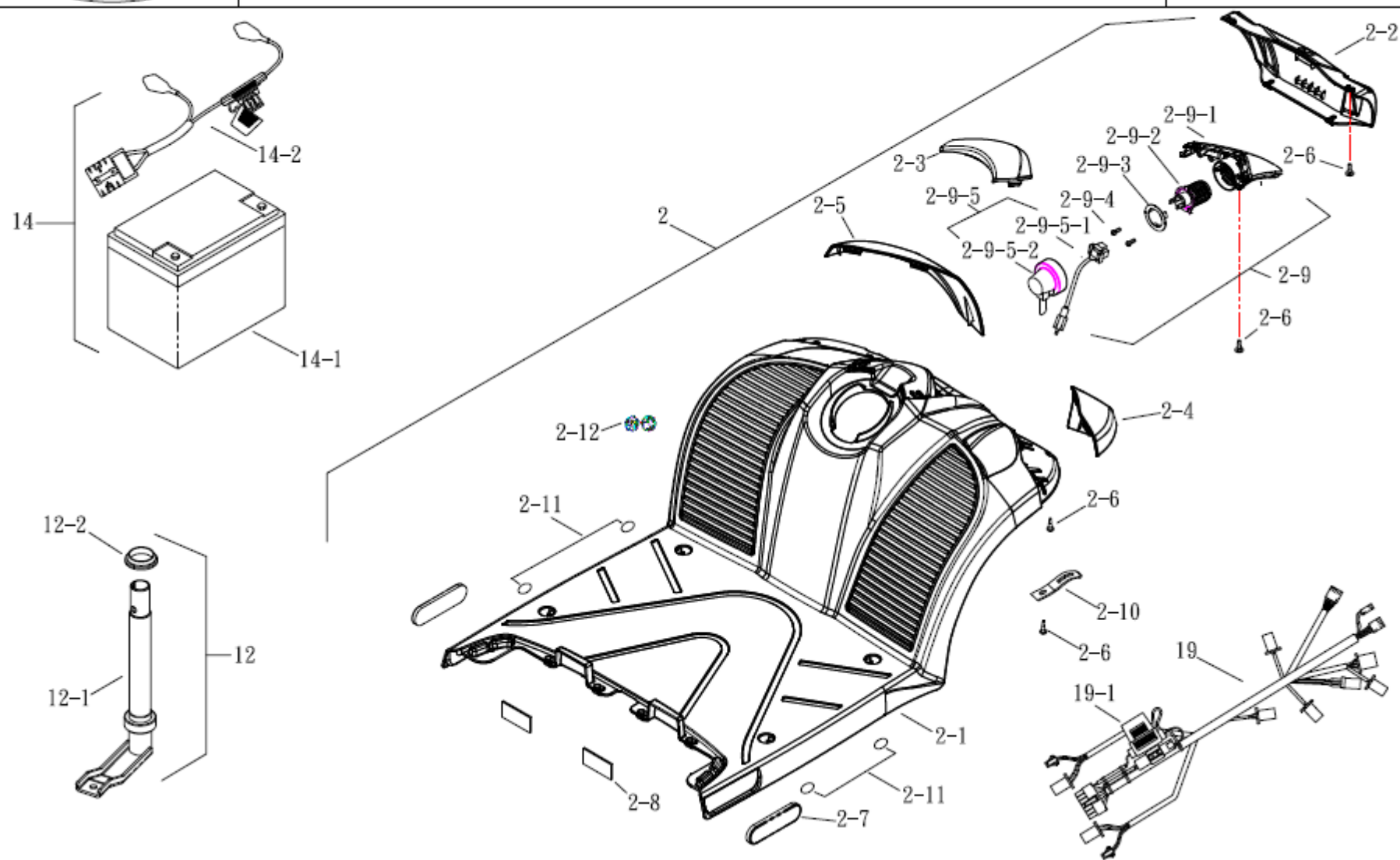




# (FIG. 2-1) FRONT FRAME

HS-520

(RHINO2/PG)






## (FIG.2-1) FRONT FRAME

| NO      | ITEM NUMBER      | DESCRIPTION                           |       | QTY | Act        |
|---------|------------------|---------------------------------------|-------|-----|------------|
| 2       | 332110-52002     | FRONT SHROUD ASSEMBLY                 |       | 1   |            |
| 2-1     | 532110-52000-WH1 | Deksel front dørk HS-520, hvit        | 13231 | 1   |            |
| 2-1     | 532110-52000-SG1 | Deksel front dørk HS-520, grå         | 13232 | 1   |            |
| 2-2     | 532470-52000-WH1 | Deksel foran HS-520, hvit             | 13233 | 1   |            |
| 2-2     | 532470-52000-SG1 | Deksel foran HS-520, grå              | 13236 | 1   |            |
| 2-3     | 532470-52000-WH1 | Deksel foran HS-520, hvit             | 13239 | 1   |            |
| 2-4     | 532170-52000-WH1 | Deksel front høyre 520, hvit          | 13227 | 1   |            |
| 2-4     | 532170-52000-SG1 | Deksel front høyre 520, grå           | 13228 | 1   |            |
| 2-5     | 532180-52000-WH1 | Deksel front venstre HS-520, hvit     | 13229 | 1   |            |
| 2-5     | 532180-52000-SG1 | Deksel front venstre HS-520, grå      | 13230 | 1   |            |
| 2-7     | 585020-39800     | REELECTOR-Y E MARK                    |       | 2   |            |
| 2-8     | 542202-58010     | VEL-CRO 50L                           |       | 2   |            |
| 2-9     | 318190-52003     | Frontlykt komplett HS-520             | 13224 | 1   | 2021.04.08 |
| 2-9-1   | 518040-52000     | HEADLAMP SHELL                        |       | 1   |            |
| 2-9-2   | 518030-52001     | LED Pære Hovedlys HS-520              | 13226 | 1   |            |
| 2-9-3   | 518110-52000     | FIXED PLATE, HEADLAMP                 |       | 1   |            |
| 2-9-4   | 503203-00801     | SCREW (ψ3x8L)                         |       | 2   |            |
| 2-9-5   | 315550-52001     | WIRE, LAMP-I/O                        |       | 1   |            |
| 2-9-5-1 | 515550-52000     | WIRE, LAMP-I/O                        |       | 1   |            |
| 2-9-5-2 | 518070-52001     | COVER, HEADLAMP                       |       | 1   |            |
| 2-10    | 563150-66600     | CLAMP                                 |       | 1   |            |
| 2-11    | 582133-89800     | CENTRAL FIXED ROUND STICKERS INDICATE |       | 4   |            |
| 2-12    | 582133-52000     | FIXATION HOOK WARNING LABEL           |       | 1   |            |
| 14      | 313236-52000     | Batteri med kabler, 520 12V/50Ah      | 13218 | 2   |            |

|        |              |                       |       |   |  |
|--------|--------------|-----------------------|-------|---|--|
| 14-1   | 513236-57010 | Batteri 12V/56Ah      | 11656 | 1 |  |
| 14-2   | 515600-52000 | WIRE, BATTERY OUTPUT  |       | 1 |  |
| 14-2-1 | 519670-89500 | Sikring (70Amp)       | 12642 | 1 |  |
| 15     | 517100-55801 | Controller DS-90, 520 | 13216 |   |  |

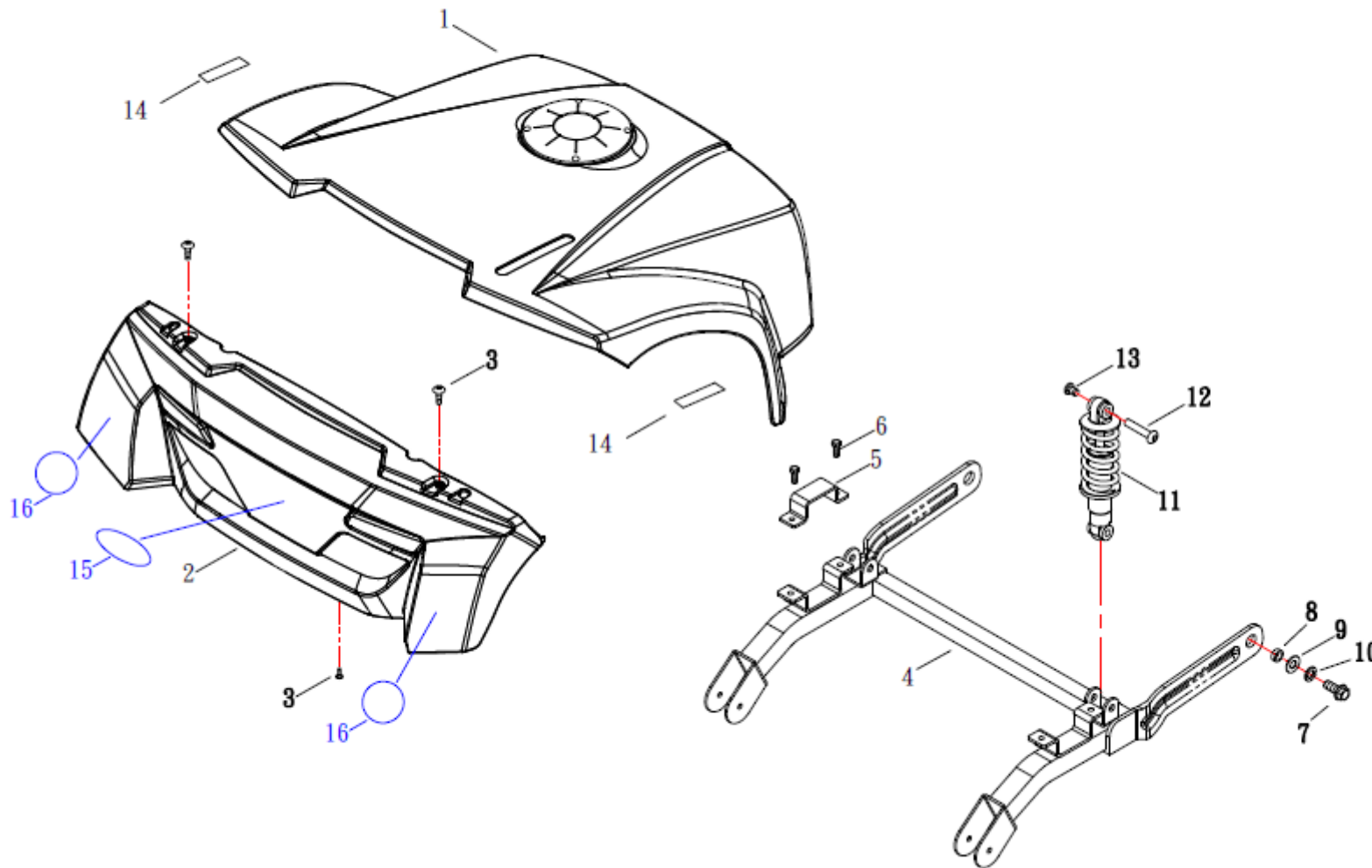
|  |              | (FIG.2-1) FRONT FRAME |       |     |   |
|---|--------------|-----------------------|-------|-----|---|
| NO  | ITEM NUMBER  | DESCRIPTION           |       | QTY | 期 |
| 19  | 515000-52010 | WIRE HARNESS, SEC.    |       | 1   |   |
| 19-1  | 519607-57000 | Sikring (7,5Amp)      | 12408 | 1   |   |





(FIG. 3) REAR FRAME

HS-520





### (FIG.3) REAR FRAME

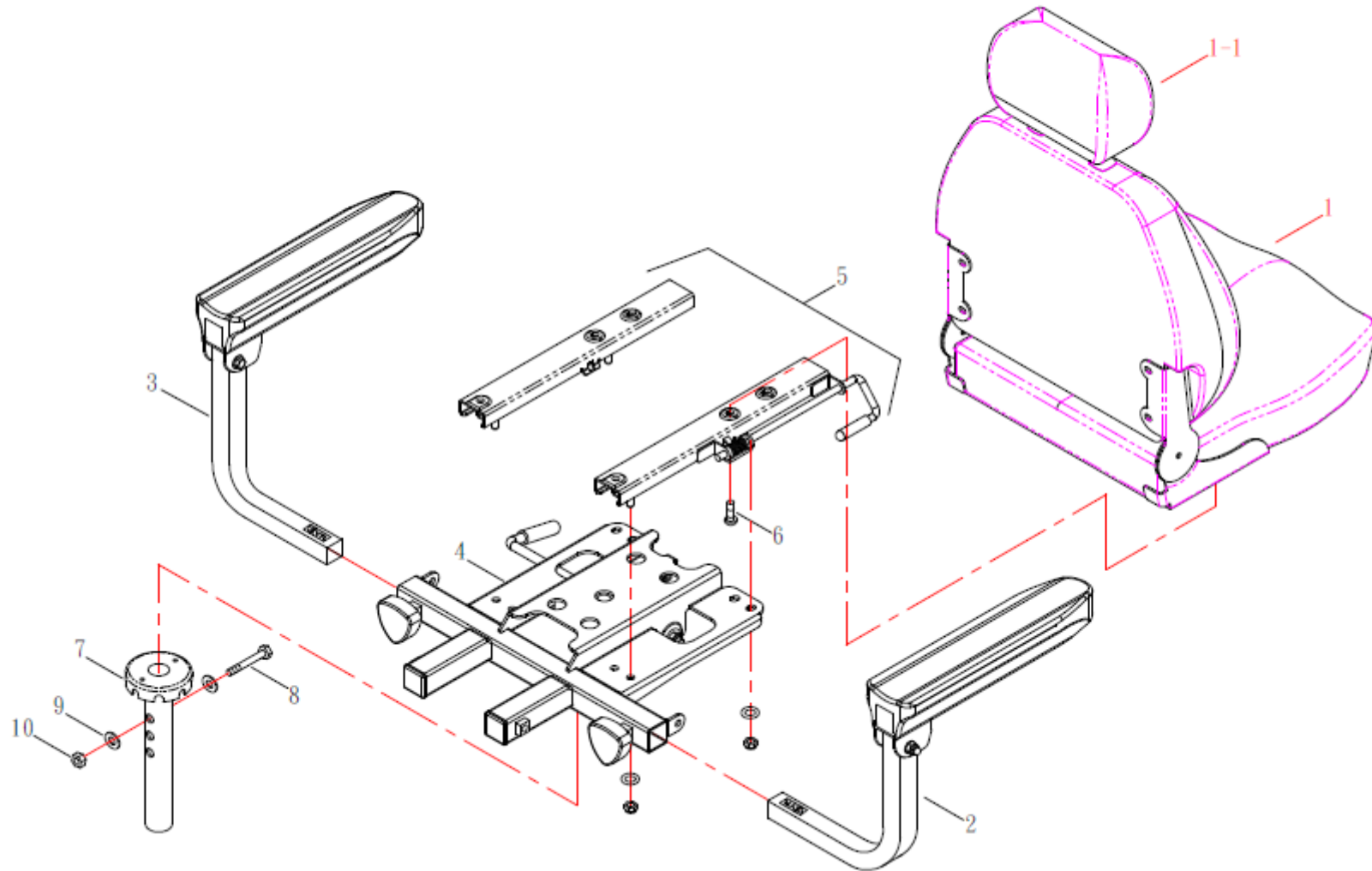
| NO | ITEM NUMBER      | DESCRIPTION                        |       | QTY | Act        |
|----|------------------|------------------------------------|-------|-----|------------|
| 1  | 342100-52000-WH1 | Deksel bak, batterikasse 520, hvit | 13237 | 1   |            |
| 1  | 342100-52000-SG1 | Deksel bak, batterikasse 520, grå  | 13238 |     |            |
| 2  | 345310-52000     | Deksel bak, Støtfanger 520         | 13240 | 1   |            |
| 3  | 503504-01205     | SCREW (φ4×12L)                     |       | 4   |            |
| 4  | 541310-52000     | BRACKET, SUSPENSION                |       | 1   |            |
| 5  | 541121-57500     | HOLDER, DIFFERENTIAL               |       | 2   |            |
| 6  | 502506-01673     | BOLT (M6X16L)                      |       | 4   |            |
| 7  | 502310-02555     | BOLT (M10X25L)                     |       | 2   |            |
| 8  | 509005-11155     | COLLER                             |       | 2   |            |
| 9  | 505310-22003     | WASHER, FRONT AXLE                 |       | 2   |            |
| 10 | 505110-18003     | SPRING WASHER                      |       | 2   |            |
| 11 | 541210-52000     | Støtdemper bak 520                 | 13242 | 2   |            |
| 12 | 541202-72800     | BOLT, CUSHION (30L)                |       | 4   |            |
| 13 | 502606-01213     | BOLT                               |       | 4   |            |
| 15 | 585020-73000     | EFWLECTOR-R E MARK                 |       | 2   | 2019.09.04 |



(FIG. 4) SEAT

HS-520

修訂日期：2021.05.24





### (FIG.4) SEAT

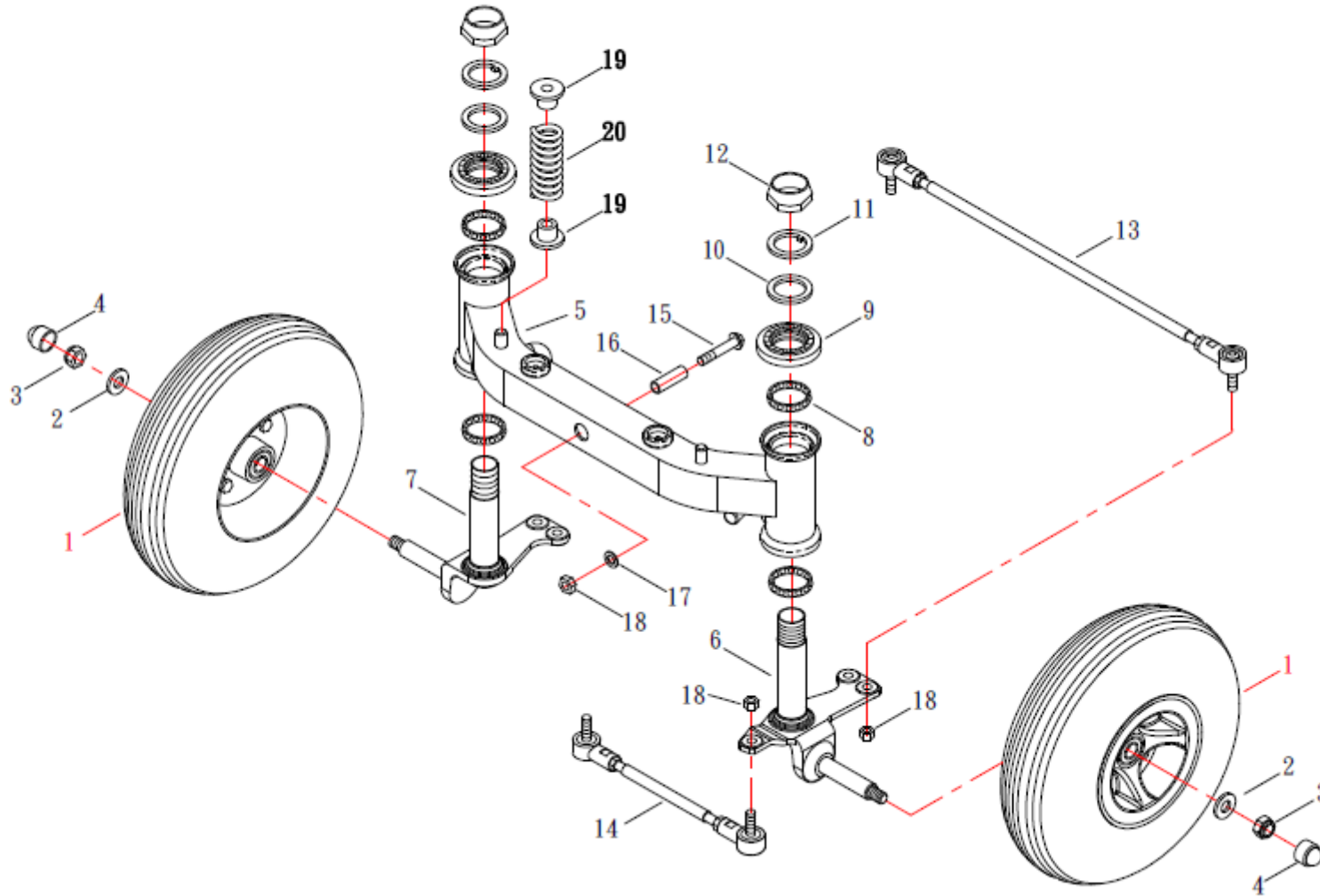
| NO | ITEM NUMBER  | DESCRIPTION                    |       | QTY | Act |
|----|--------------|--------------------------------|-------|-----|-----|
| 1  | 571300-52001 | Sete u/ braketter HS-520       | 10067 | 1   |     |
| 2  | 373300-52000 | Armlene Høyre HS-520           | 11706 | 1   |     |
| 3  | 373400-52000 | Armlene Venstre HS-520         | 11707 | 1   |     |
| 4  | 372100-52010 | Setebraketter HS-828 og HS-520 | 10149 | 1   |     |
| 5  | 372200-68600 | Glideskinne Sete Captain       | 11702 | 1   |     |
| 6  | 502608-02055 | BOLT, SLIDE (M8X20L)           |       | 4   |     |
| 7  | 572410-22800 | HOLDER, GUIDE                  |       | 1   |     |
| 8  | 502110-05553 | BOLT (M10X55L)                 |       | 1   |     |
| 9  | 505910-26003 | WASHER                         |       | 2   |     |
| 10 | 504500-10173 | NYLON NUT (M10)                |       | 1   |     |



(FIG. 5) FRONT WHEEL

HS-520

修訂日期：2018.08.31





## (FIG.5) FRONT WHEEL

| NO | ITEM NUMBER  | DESCRIPTION                                    |       | QTY | Act |
|----|--------------|--|-------|-----|-----|
| 1  | 361200-58801 | Hjul foran, komplett 520                       | 13246 | 2   |     |
|    | 561101-74010 | Dekk foran og bak, HS-520 (11/3.50 x 4.10 – 5) | 11675 | 2   |     |
|    | 561102-68610 | Slange foran og bak HS-520                     | 11667 | 2   |     |
| 3  | 504500-10173 | NYLON NUT, WHEEL (M10)                         |       | 2   |     |
| 4  | 534101-68600 | CAP, NUT                                       |       | 2   |     |
| 5  | 333300-52010 | SUSEPNSION ASSEMBLY, FRONT WHEEL               |       | 1   |     |
| 8  | 536215-56000 | BALLS SET.                                     |       | 4   |     |
| 9  | 536213-56000 | RACE, STEERING OUTER UPPER                     |       | 2   |     |
| 10 | 536211-56000 | WASHER TOOTH                                   |       | 2   |     |
| 11 | 536212-56000 | WASHER   |       | 2   |     |
| 12 | 536228-56010 | NUT, STEERING STEM LOCK                        |       | 2   |     |
| 13 | 333130-58000 | Styrestag med endeledd kort, 520               | 13248 | 1   |     |
| 14 | 333140-36000 | Styrestag med endeledd langt, 520              | 13250 | 1   |     |
| 15 | 533305-74000 | BOLT   |       | 1   |     |
| 16 | 509035-08123 | COLLAR   |       | 1   |     |
| 17 | 505308-18003 | WASHER   |       | 1   |     |
| 18 | 504500-08133 | NYLON NUT                                      |       | 5   |     |
| 19 | 533203-58900 | BUSH, CUSHION                                  |       | 4   |     |
| 20 | 533201-58900 | SPRING, FRONT WHEEL                            |       | 2   |     |

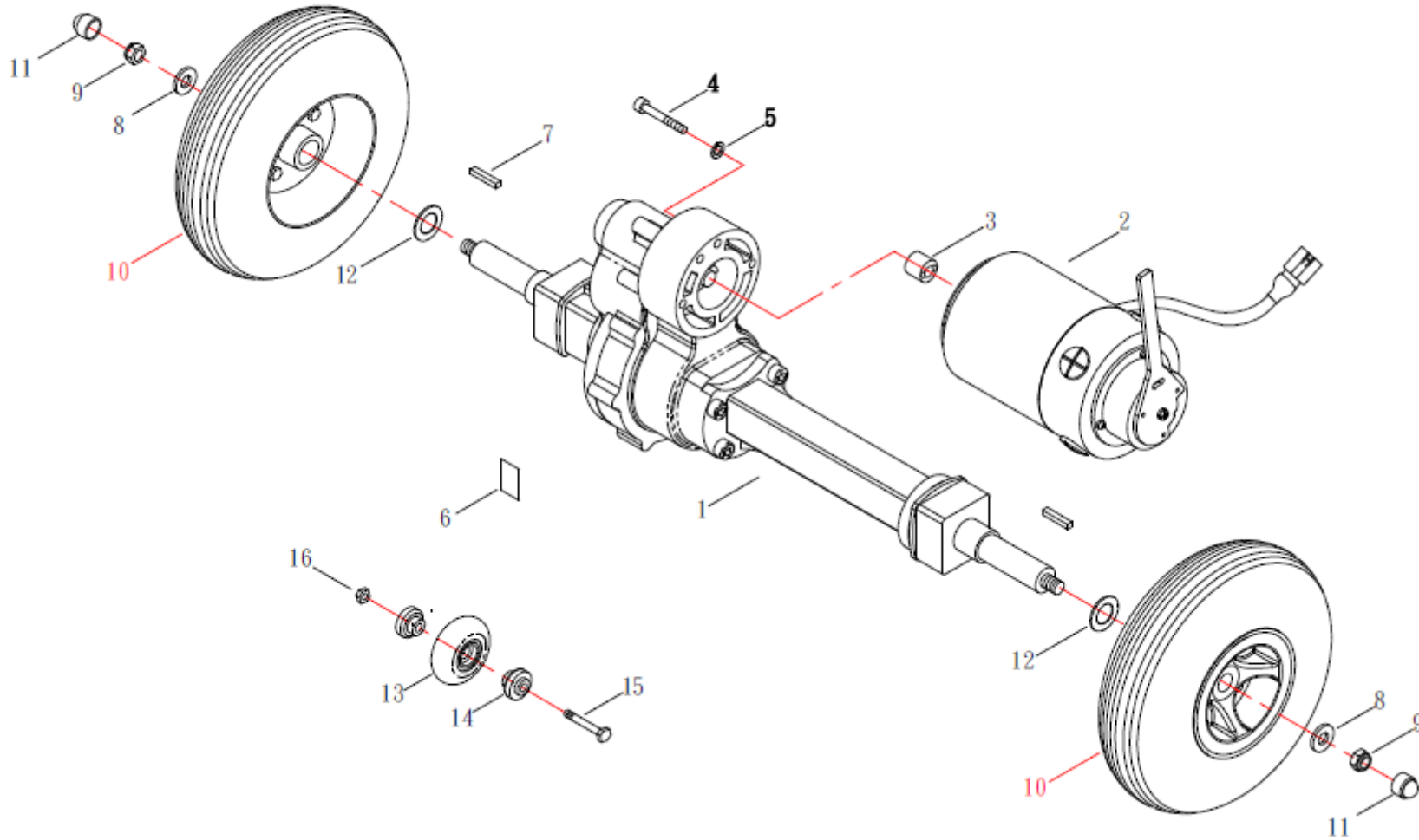


(FIG. 6) REAR WHEEL & MOTOR ASSEMBLY

修訂日期：2018. 08. 31

HS-520

(12km)3軸差速器



|  |              | (FIG.6) REAR WHEEL & MOTOR ASSEMBLY            |       |   | QTY | Act |
|---|--------------|--|-------|---|-----|-----|
| NO  | ITEM NUMBER  | DESCRIPTION                                    |       |   |     |     |
| 1   | 351000-52000 | Gear/transaksel komplett HS-520                | 13254 | 1 |     |     |
| 2   | 511100-52020 | Motor komplett HS-520 RHINO2-90                | 13252 | 1 |     |     |
| 3   | 552510-72800 | Overgang motor/gear HS-520                     | 13256 | 1 |     |     |
| 4   | 502406-05053 | BOLT, MOTOR (M6X50L)                           |       | 3 |     |     |
| 5   | 505106-11003 | SPRING WASHER                                  |       | 3 |     |     |
| 6   | 582114-57000 | STICKER TRANSAXL INSPECTION                    |       | 1 |     |     |
| 7   | 554710-73000 | Sporkile transaksel/hjul (□5X30L)              | 11755 | 2 |     |     |
| 8   | 505310-25003 | Shims til bakhjul CTM                          | 11760 | 2 |     |     |
| 9   | 504500-10173 | NYLON NUT, WHEEL (M10)                         |       | 2 |     |     |
| 10  | 362200-58801 | Hjul bak, komplett 520                         | 13258 | 2 |     |     |
|   | 561101-74010 | Dekk foran og bak, HS-520 (11/3.50 x 4.10 – 5) | 11675 |   |     |     |
|   | 561102-68610 | Slange foran og bak HS-520                     | 11667 |   |     |     |
| 12  | 505320-27005 | PLANE WASHER                                   |       | 2 |     |     |
| 13  | 564340-39000 | WHEEL, ANTI-TIPPER 60mm.                       |       | 2 |     |     |
| 14  | 564350-56000 | BEARING, ANTI-TIPPER                           |       | 4 |     |     |
| 15  | 502106-04013 | BOLT, WHEEL (M6X40L)                           |       | 2 |     |     |
| 16  | 504500-06103 | NYLON NUT (M6)                                 |       | 2 |     |     |

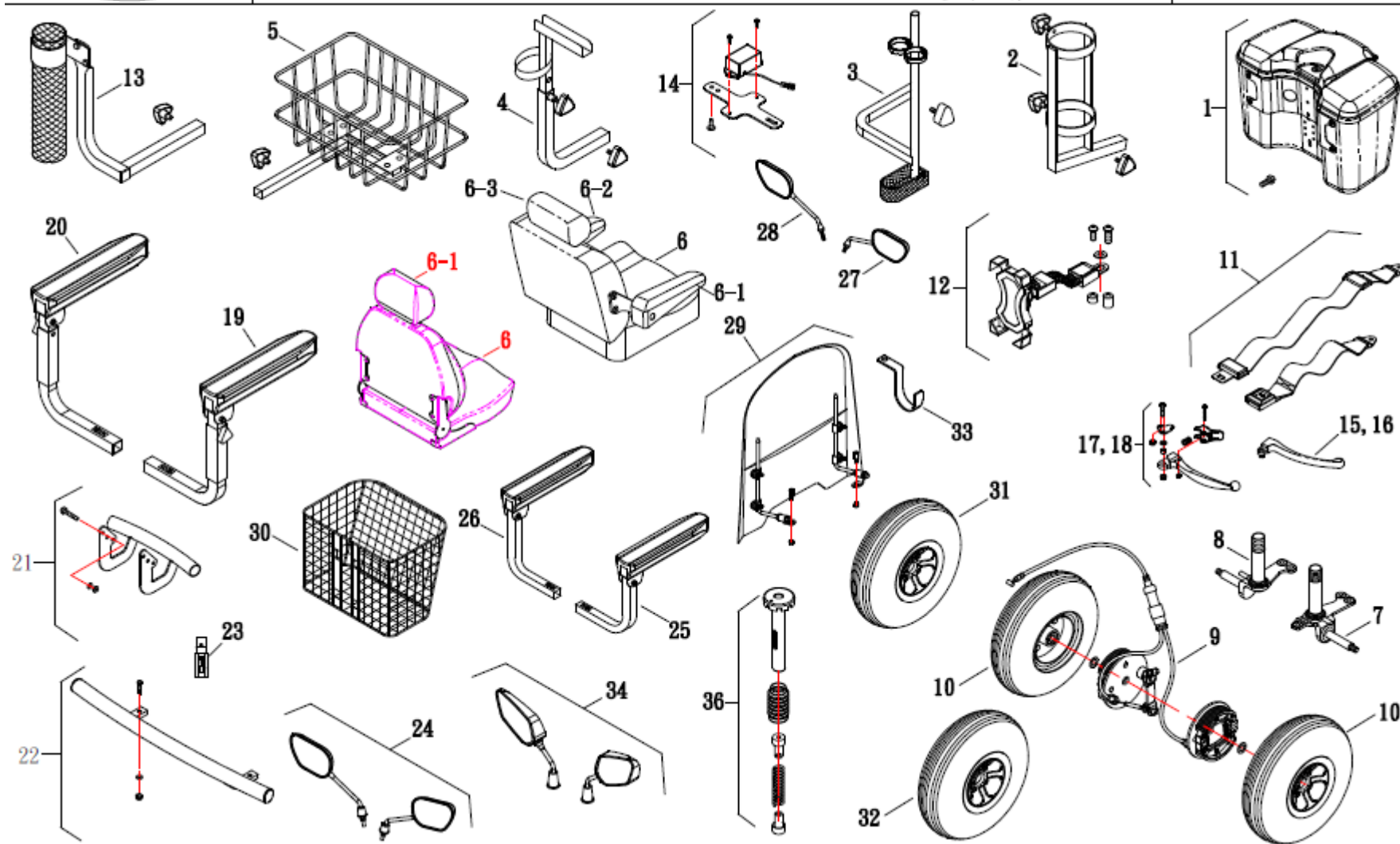




(FIG. 7) ACCESSORY

HS-520

修訂日期：2021.05.24





## (FIG.7) ACCESSORY

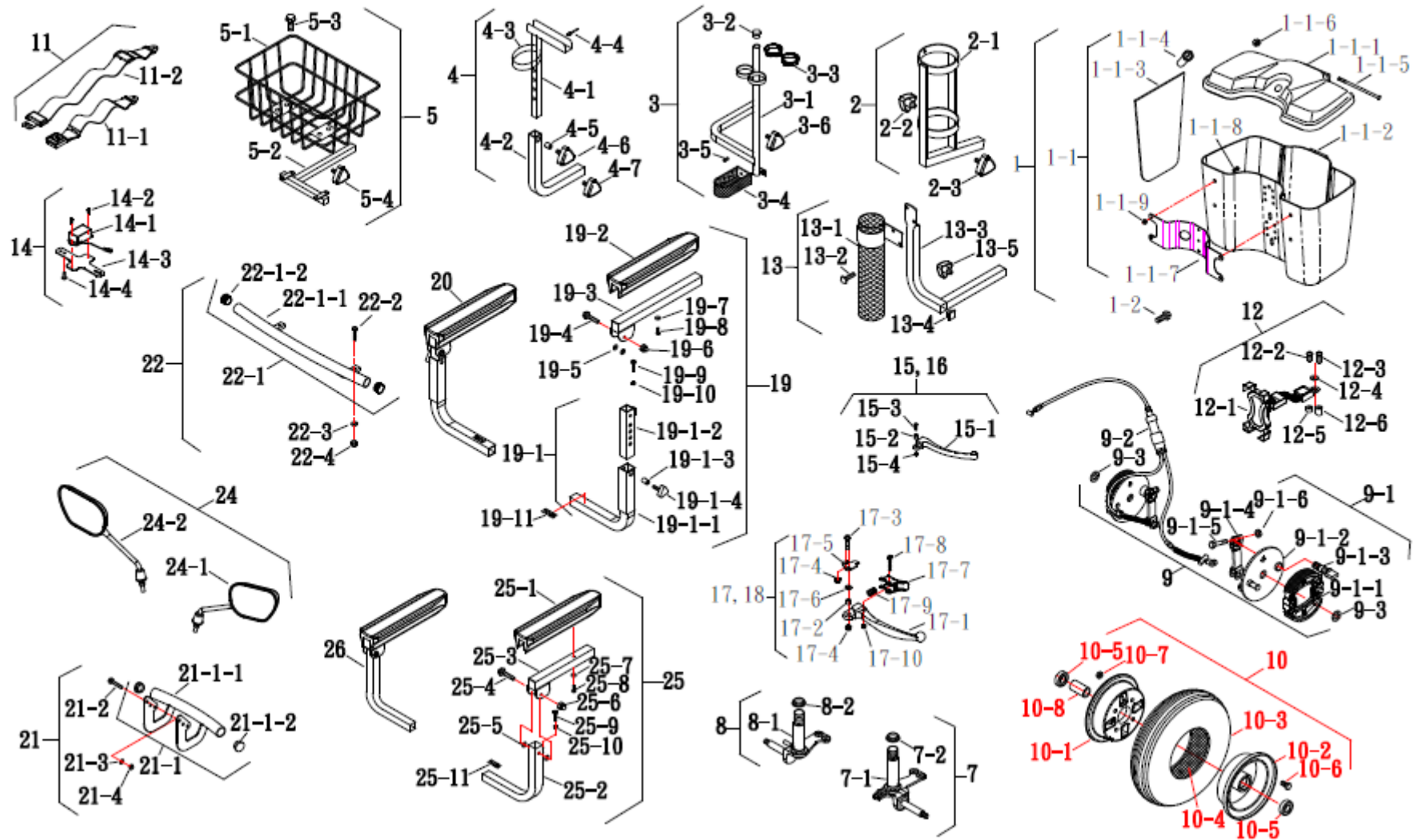
| NO  | ITEM NUMBER  | DESCRIPTION                  |       | QTY |  |
|-----|--------------|------------------------------|-------|-----|--|
| 2   | 377300-73000 | Oksygenflaskeholder          | 10526 | 1   |  |
| 6-3 | 571310-55900 | Nakkestøtte                  | 13244 | 1   |  |
| 7   | 334110-89010 | Hjul spindel høyre           | 11745 | 1   |  |
| 13  | 377200-73000 | Spaserstokkholder HS 740/520 | 10915 | 1   |  |
| 14  | 317920-52000 | Gyro for hastighetsreduksjon | 12604 | 1   |  |



# (FIG. 7-1) ACCESSORY 1/2

HS-520

修訂日期：2019.11.18



| NO | ITEM NUMBER  | DESCRIPTION                          |       | QTY | Act |
|----|--------------|--------------------------------------|-------|-----|-----|
| 17 | 326100-82800 | PARK BRAKE ASSEMBLY R                |       | 1   |     |
| 18 | 326300-82800 | PARK BRAKE ASSEMBLY L                |       | 1   |     |
| 19 | 373300-52000 | Armlene Høyre HS-520                 | 11706 | 1   |     |
| 20 | 373400-52000 | Armlene Venstre HS-520L              | 11707 | 1   |     |
| 21 | 335100-52000 | BUMPER ASSEMBLY FRONT                |       | 1   |     |
| 22 | 345100-52000 | BUMPER ASSEMBLY REAR                 |       | 1   |     |
| 27 | 526210-68610 | Speil HS-520, passer til begge sider | 12391 | 2   |     |
|    | 526215-89000 | Støvdeksel til speil 520             | 12389 | 2   |     |
| 29 | 379700-74501 | WINDSCREEN ASSEMBLY                  |       | 1   |     |
| 30 | 523110-39800 | Kurv foran 520                       | 13202 | 1   |     |
|    | 523210-52800 | Brakett for kurv 520                 | 13200 | 1   |     |
|    |              |                                      |       |     |     |
| 36 | 372400-89800 | HOLDER, GUIDE ASSEMBLY               |       | 1   |     |
|    |              |                                      |       |     |     |





## (FIG.7-1) ACCESSORY

| NO    | ITEM NUMBER  | DESCRIPTION  |       | QTY | Act |
|-------|--------------|--|-------|-----|-----|
| 7     | 334110-89010 | Hjul spindel venstre                               | 11745 | 1   |     |
| 8     | 334120-74010 | Hjul spindel høyre                                 | 11744 | 1   |     |
| 9     | 365000-68600 | BRAKE ASSEMBLY                                     |       | 1   |     |
| 9-1   | 365100-68600 | BRAKE PANEL COMP.R                                 |       | 1   |     |
| 9-1   | 365200-68600 | BRAKE PANEL COMP.L                                 |       | 1   |     |
| 9-1-1 | 565120-68600 | SHOE COMP BRAKE (Φ95)                              |       | 2   |     |
| 9-1-2 | 565110-68600 | PANER, FRONT BRAKE CAM R                           |       | 1   |     |
| 9-1-3 | 565210-68600 | PANER, FRONT BRAKE CAM L                           |       | 1   |     |
| 9-1-4 | 565140-68600 | CAM, BRAKE R                                       |       | 1   |     |
| 9-1-5 | 565240-68600 | CAM, BRAKE L                                       |       | 1   |     |
| 9-1-6 | 565130-68600 | LEVER, FRONT BRAKE ANM                             |       | 2   |     |
| 9-1-7 | 502106-03253 | BOLT, LEVER (M6X32L)                               |       | 2   |     |
| 9-1-8 | 504500-06103 | NYLON NUT  |       | 2   |     |
| 9-2   | 565310-89000 | Wire manuell brems HS 740/520                      | 10963 | 1   |     |
| 9-3   | 505315-22003 | PLANE WASHER                                       |       | 2   |     |
| 10    | 361200-74001 | FRONT WHEEL ASSEMBLY, BRAKE (BLACK PNEUMATIC TYRE) |       | 2   |     |
| 10-1  | 561120-65800 | RIM COMP., FRONT WHEEL OUTER                       |       | 1   |     |
| 10-2  | 561150-68601 | RIM, FRONT WHEEL INNER                             |       | 1   |     |



(FIG.7-1) ACCESSORY

| NO   | ITEM NUMBER  | DESCRIPTION              |  | QTY | Act |
|------|--------------|--------------------------|--|-----|-----|
| 10-5 | 508109-15324 | BEARING (6002ZZ)         |  | 2   |     |
| 10-6 | 502108-02073 | BOLT, FRONT RIM (M8X20L) |  | 4   |     |
| 10-7 | 504500-08133 | NYLON NUT, RIM (M8)      |  | 4   |     |
| 10-8 | 509040-16221 | COLLAR, FRONT AXLE       |  | 1   |     |

